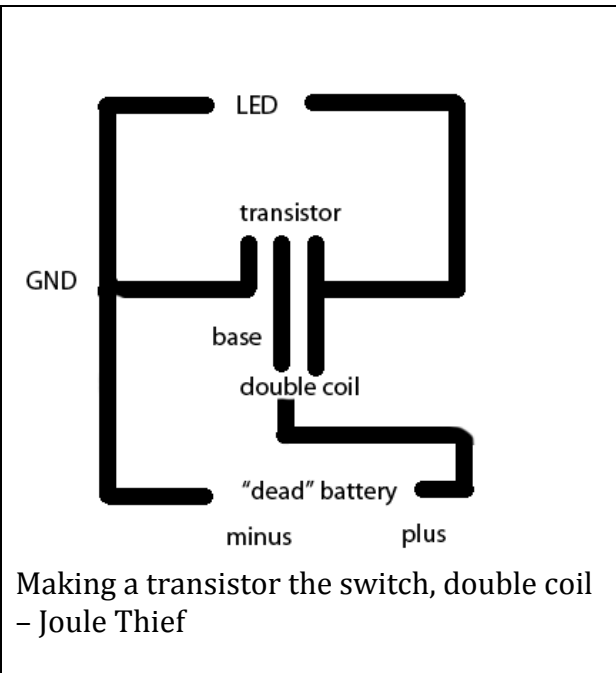
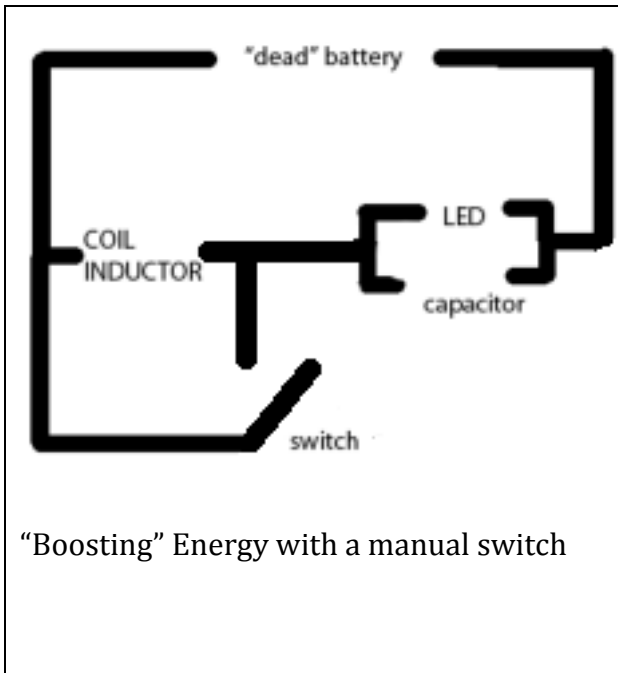


Experimental circuits



<http://www.instructables.com/id/Make-a-Joule-Thief/>

http://rimstar.org/sdenery/joule_thief.htm

