

# LTC3109, peltier element

## LTC3109

### Auto-Polarity, Ultralow Voltage Step-Up Converter and Power Manager

#### FEATURES

- Operates from Inputs as Low as  $\pm 30\text{mV}$
- Less Than  $\pm 1^\circ\text{C}$  Needed Across TEG to Harvest Energy
- Proprietary Auto-Polarity Architecture
- Complete Energy Harvesting Power Management System
  - Selectable  $V_{\text{OUT}}$  of 2.35V, 3.3V, 4.1V or 5V
  - 2.2V, 5mA LDO
  - Logic-Controlled Output
  - Energy Storage Capability for Operation During Power Interruption

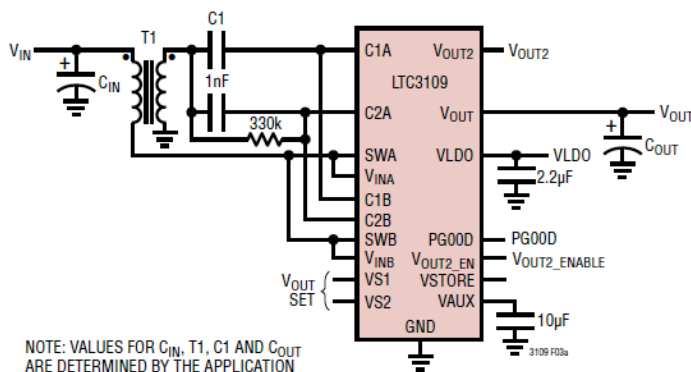
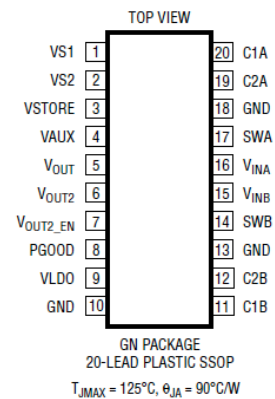
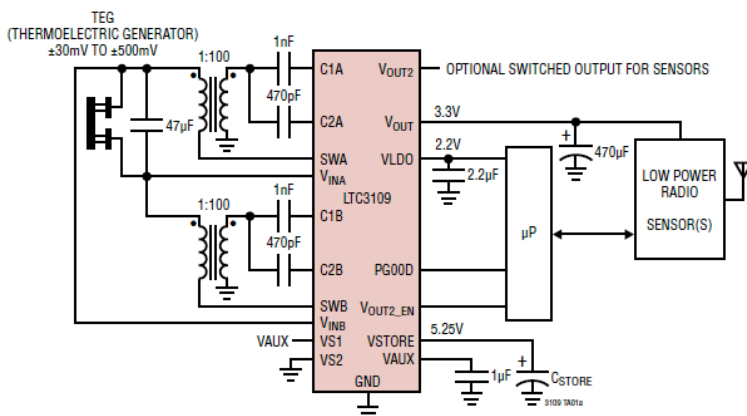


Figure 3. Unipolar Application