

NCP1400A

100 mA, Fixed Frequency PWM Step-Up Micropower Switching Regulator

Features

- Extremely Low Startup Voltage of 0.8 V
- Operation Down to Less than 0.2 V
- Only Four External Components for Simple Highly Efficient Converters
- Up to 100 mA Output Current Capability

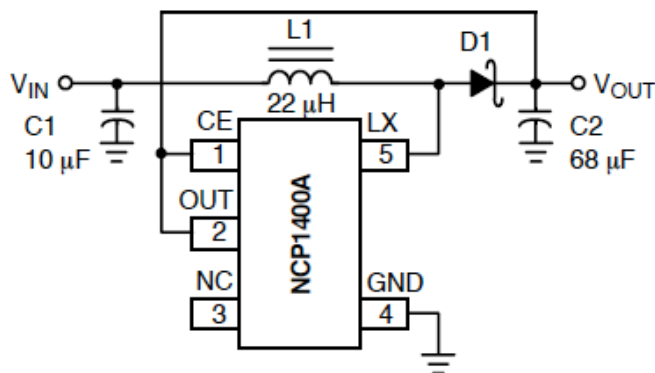


Figure 41. Typical Step-Up Converter Application

